

BALDOR® • RELIANCE 

Product Information Packet

YPC164A

.25HP, 1075RPM, 1PH, 60HZ, 48YZ, 3411C, TEAO, F

| Part Detail | | | | | | | |
|-------------|--------|-------------|------------|-------------|--------|---------------|------------|
| Revision: | G | Status: | PRD/A | Change #: | | Proprietary: | No |
| Type: | AC | Elec. Spec: | 34WGR231 | CD Diagram: | CD0798 | Mfg Plant: | |
| Mech. Spec: | 34M195 | Layout: | 34LYM195 | Poles: | 06 | Created Date: | 10-14-2014 |
| Base: | YP | Eff. Date: | 11-12-2018 | Leads: | 5#18 | | |

| Specs | | | |
|---------------------------------|-------------------------|--------------------------------|--------------------------------|
| Catalog Number: | YPC164A | KVA Code: | - |
| Enclosure: | TEAO | Lifting Lugs: | No Lifting Lugs |
| Frame: | 48YZ | Locked Bearing Indicator: | No Locked Bearing |
| Frame Material: | Steel | Motor Lead Quantity/Wire Size: | 5 @ 18 AWG |
| Output @ Frequency: | .250 HP @ 60 HZ | Motor Lead Exit: | Terminal Panel Or Lead Hole |
| Synchronous Speed @ Frequency: | 1200 RPM @ 60 HZ | Motor Lead Termination: | None |
| Voltage @ Frequency: | 115.0 V @ 60 HZ | Motor Type: | 3411C |
| XP Class and Group: | None | Mounting Arrangement: | F1 |
| XP Division: | Not Applicable | Product Family: | General Purpose |
| Agency Approvals: | UR | Pulley End Bearing Type: | Ball |
| | CSA | Pulley Face Code: | Standard |
| Auxillary Box: | No Auxillary Box | Pulley Shaft Indicator: | Standard |
| Auxillary Box Lead Termination: | None | Rodent Screen: | None |
| Base Indicator: | Yoke Pedestal | RoHS Status: | ROHS COMPLIANT |
| Bearing Grease Type: | Polyrex EM (-20F +300F) | Shaft Extension Location: | Pulley End |
| Blower: | None | Shaft Ground Indicator: | No Shaft Grounding |
| Current @ Voltage: | 2.800 A @ 115.0 V | Shaft Rotation: | Reversible: Connected Standard |
| Design Code: | - | Shaft Slinger Indicator: | Shaft Slinger |

| | | | |
|---------------------------------------|---------------------------|------------------------------------|----------------------------|
| Drip Cover: | No Drip Cover | Speed Code: | Single Speed |
| Duty Rating: | CONT | Motor Standards: | NEMA |
| Electrically Isolated Bearing: | Not Electrically Isolated | Starting Method: | Direct on line |
| Feedback Device: | NO FEEDBACK | Thermal Device - Bearing: | None |
| Front Face Code: | Terminal Panel | Thermal Device - Winding: | None |
| Front Shaft Indicator: | None | Vibration Sensor Indicator: | No Vibration Sensor |
| Heater Indicator: | No Heater | Winding Thermal 1: | Automatic Thermal Overload |
| Insulation Class: | B | Winding Thermal 1 Location: | WG |
| Inverter Code: | Not Inverter | Winding Thermal 2: | None |

| | |
|--------------------------|--------------|
| Nameplate NP1257L | |
| CAT.NO. | YPC164A |
| SPEC. | 34M195R231G1 |
| HP | .25 |
| VOLTS | 115 |
| AMP | 2.8 |
| RPM | 1075 |
| FRAME | 48YZ |
| SER.F. | 1.00 |
| NEMA-NOM-EFF | |
| RATING | 40C AMB-CONT |
| CC | |
| DE | 6203 |
| ENCL | TEAO |
| ODE | 6203 |
| SN | |
| CODE | - |
| DES | - |
| CL | B |
| PH | 1 |
| HZ | 60 |
| PF | |
| USABLE AT 208V | |

| Parts List | | |
|-------------|--|----------|
| Part Number | Description | Quantity |
| SA288275 | SA 34M195R231G1 | 1.000 EA |
| RA274471 | RA 34M195R231G1 | 1.000 EA |
| OC3020F12SP | CAPACITORS 20 MFD 370 VAC | 1.000 EA |
| RM1001A01 | GROMMET "MIDSTATES" | 1.000 EA |
| WD4100A42 | CAPLUG BPF-3/4, FOR 1/2" NPT OR 3/4 HOLE | 1.000 EA |
| 11XW0832G06 | #8-32 X 3/8, TAPTITE II, HEX WSHR SLTD | 1.000 EA |
| 34EP3204D01 | SPL FR ENDPLATE 34L - ENCL | 1.000 EA |
| 51XW0832A07 | 8-32 X .44, TAPTITE II, HEX WSHR SLTD SE | 3.000 EA |
| HW5100A03 | WAVY WASHER (W1543-017) | 1.000 EA |
| 33CB4800A02 | CAPACITOR COVER, STAMPED | 1.000 EA |
| 35GS3001A02 | GASKET, CA.COVER, 5.38 LONG .06 CS301 | 1.000 EA |
| 34GS5003 | FOAM SLEEVE, ID = 2 1/16" X 3 3/8" | 1.000 EA |
| 51XB1016A05 | 10-16X5/16HX WA SL SR TYB (F/S) | 2.000 EA |
| 34EP3109D01 | PU ENDPLATE, MACH ENCL, 5.125 B.C. | 1.000 EA |
| XY0832A02 | 8-32 HEX NUT | 4.000 EA |
| 34CB4501SP | TERMINAL BOX LID, STAMPED X (PLATED) | 1.000 EA |
| 34GS1005 | GASKET, TERM PLATE LID | 1.000 EA |
| 51XW0832A07 | 8-32 X .44, TAPTITE II, HEX WSHR SLTD SE | 2.000 EA |
| HA1005A05SP | SLINGER, OD 1.50, ID .659, 203 BRG | 1.000 EA |
| HW1000A08 | #8 SAE FLAT WASHER | 4.000 EA |
| MG1000G27 | MED CHARCOAL METALLIC GREY 400-0096 | 0.014 GA |
| 85XU0407S04 | 4X1/4 U DRIVE PIN STAINLESS | 2.000 EA |
| WD1000A16 | 2-520128-2 AMP FLAG TERMINAL(4M/RL) | 5.000 EA |
| SP5076SP | MODEL 34 TERMINAL PANEL WITH QUICK CONNE | 1.000 EA |

| Parts List (continued) | | |
|-------------------------------|---|-----------------|
| Part Number | Description | Quantity |
| HA3169A25 | THRUBOLT #8-32 THDS X 8.688" LONG | 4.000 EA |
| LB1118 | LABEL,WARNING (ROLL LABEL) | 1.000 EA |
| LC0085 | CONNECTION LABEL | 1.000 EA |
| NP1257L | ALUM UL CSA CC THERMAL REV MTG | 1.000 EA |
| MN416A01 | TAG-INSTAL-MAINT no wire (1200/bx) 3/19 | 1.000 EA |
| ML14-8C18 | 18 AWG, 8,RED | 10.000 IN |
| WD1000A16 | 2-520128-2 AMP FLAG TERMINAL(4M/RL) | 2.000 EA |
| 36PA1000 | PKG GRP, PRINT PK1016A06 | 1.000 EA |
| PK3083 | STYROFOAM PACKING CRADLE | 1.000 EA |
| PK3088 | MICROFOAM, 8"X"8 PERF. SHEETS 5,400/RL | 1.000 EA |

AC Induction Motor Performance Data

Record # 51609 - Typical performance - not guaranteed values

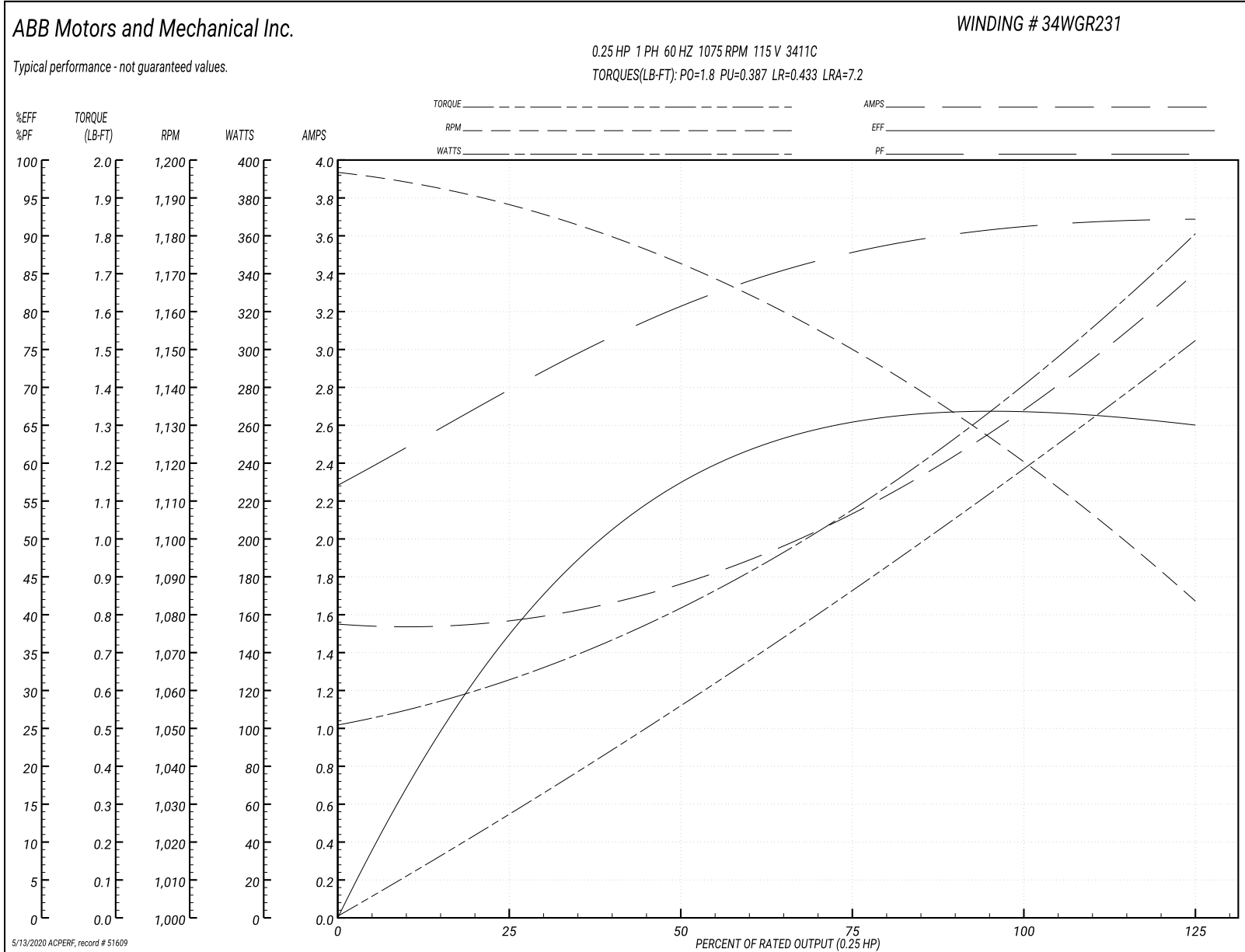
| | | |
|-------------------------------|--------------------|------------------------|
| Winding: 34WGR231-R001 | Type: 3411C | Enclosure: TEAO |
|-------------------------------|--------------------|------------------------|

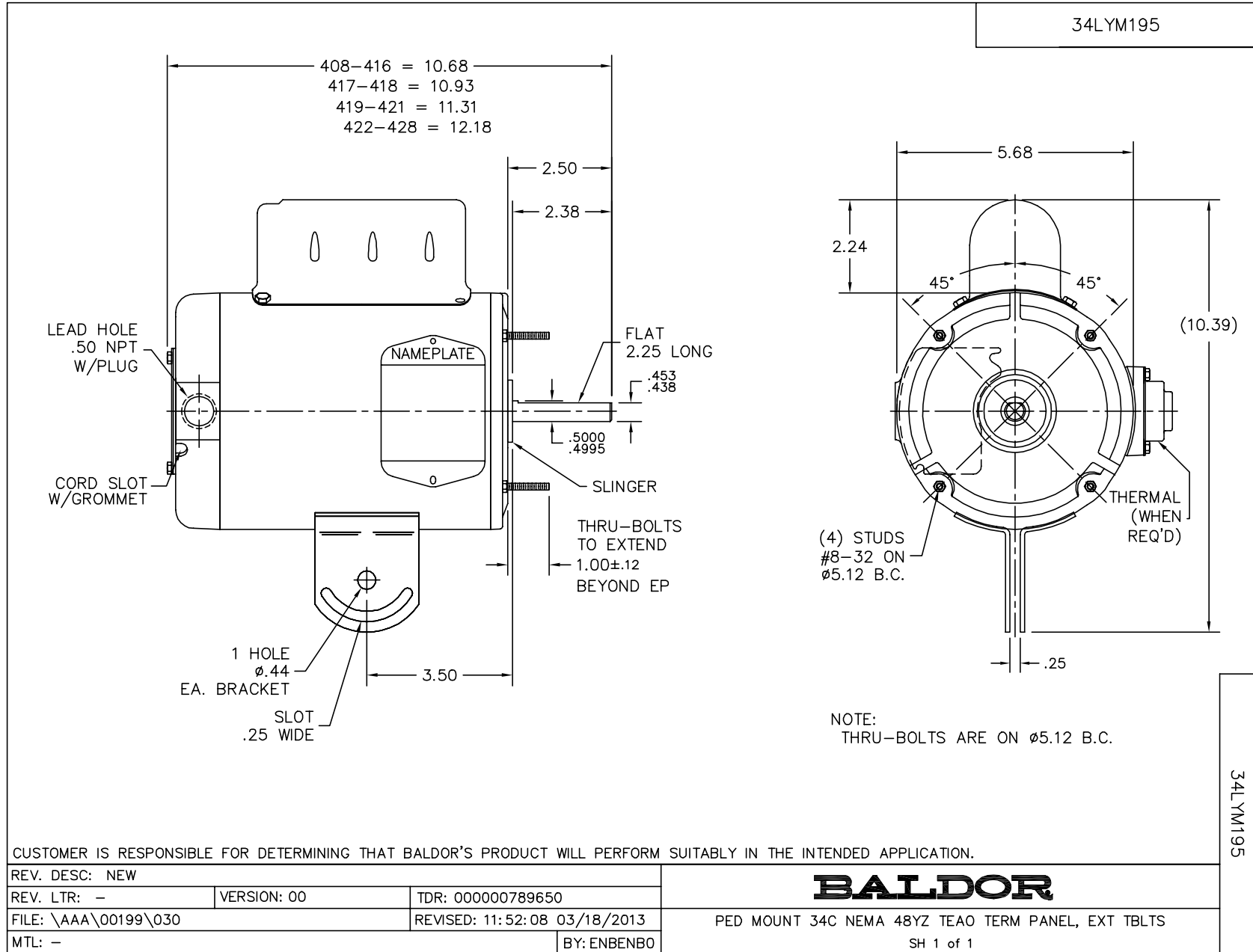
| Nameplate Data | | | | 115 V, 60 Hz: Single Voltage Motor | |
|-----------------------|--------------|--------------|---|---------------------------------------|--------------------------------|
| Rated Output (HP) | .25 | | | Full Load Torque | 1.22 LB-FT |
| Volts | 115 | | | Start Configuration | direct on line |
| Full Load Amps | 2.8 | | | Breakdown Torque | 1.8 LB-FT |
| R.P.M. | 1075 | | | Pull-up Torque | 0.387 LB-FT |
| Hz | 60 | Phase | 1 | Locked-rotor Torque | 0.433 LB-FT |
| NEMA Design Code | - | KVA Code | - | Starting Current | 7.2 A |
| Service Factor (S.F.) | 1 | | | No-load Current | 1.54 A |
| NEMA Nom. Eff. | 0 | Power Factor | 0 | Line-line Res. @ 25°C | 5.6688 Ω A Ph 10.891 Ω B Ph |
| Rating - Duty | 40C AMB-CONT | | | Temp. Rise @ Rated Load | |

Load Characteristics 115 V, 60 Hz, 0.25 HP

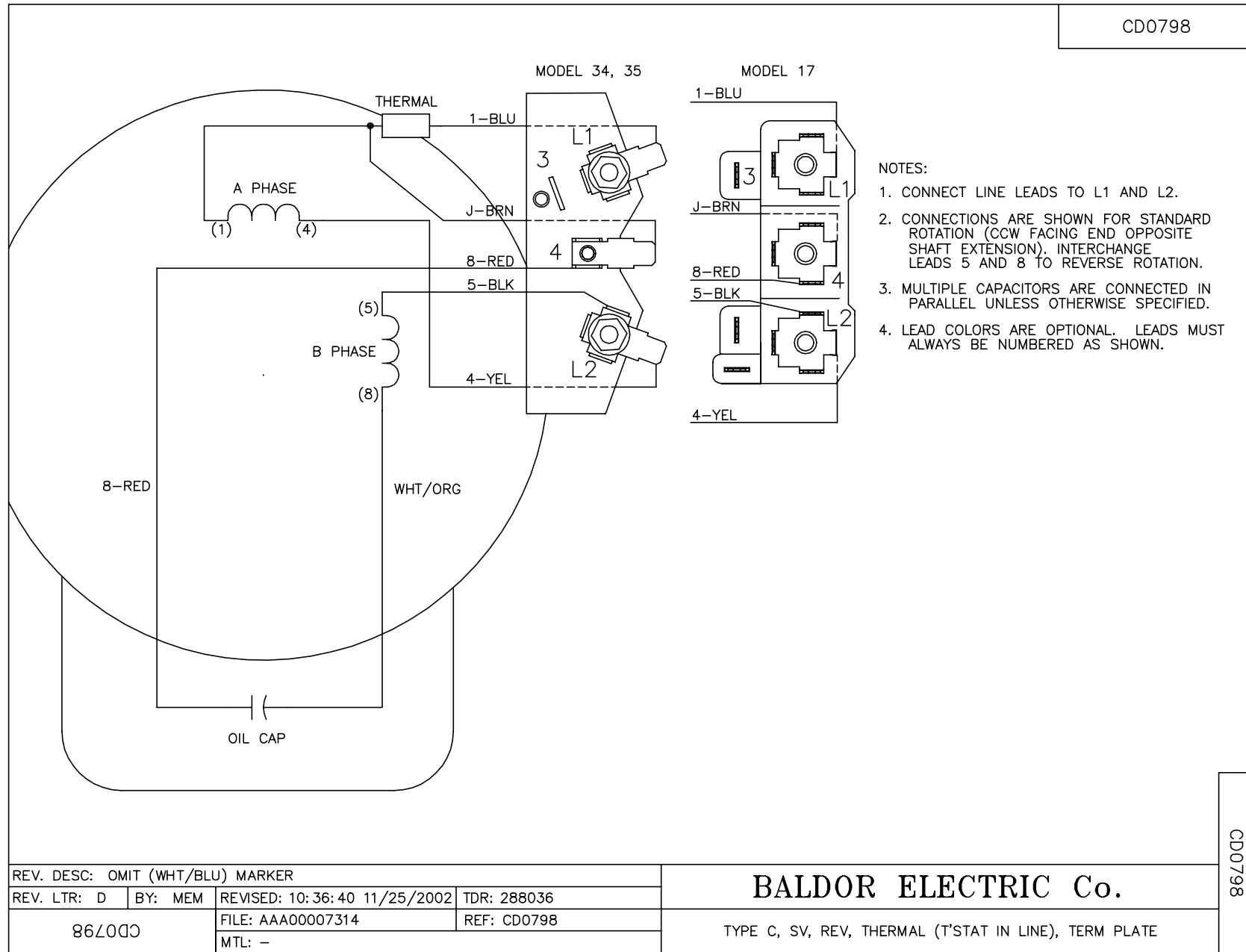
| % of Rated Load | 25 | 50 | 75 | 100 | 125 |
|-----------------|--------|--------|--------|--------|--------|
| Power Factor | 72 | 83 | 89 | 92 | 92 |
| Efficiency | 40 | 58 | 66.4 | 67.9 | 64.1 |
| Speed | 1183.5 | 1167.5 | 1147.5 | 1119.9 | 1080.5 |
| Line amperes | 1.59 | 1.83 | 2.21 | 2.73 | 3.43 |

Performance Graph at 115V, 60Hz, 0.25HP Typical performance - Not guaranteed values





CD0798



CD0798

| | | | |
|----------------------------------|---------|------------------------------|-------------|
| REV. DESC: OMIT (WHT/BLU) MARKER | | | |
| REV. LTR: D | BY: MEM | REVISED: 10:36:40 11/25/2002 | TDR: 288036 |
| 86Z000 | | FILE: AAA00007314 | REF: CD0798 |
| | | MTL: - | |

BALDOR ELECTRIC Co.

TYPE C, SV, REV, THERMAL (T'STAT IN LINE), TERM PLATE